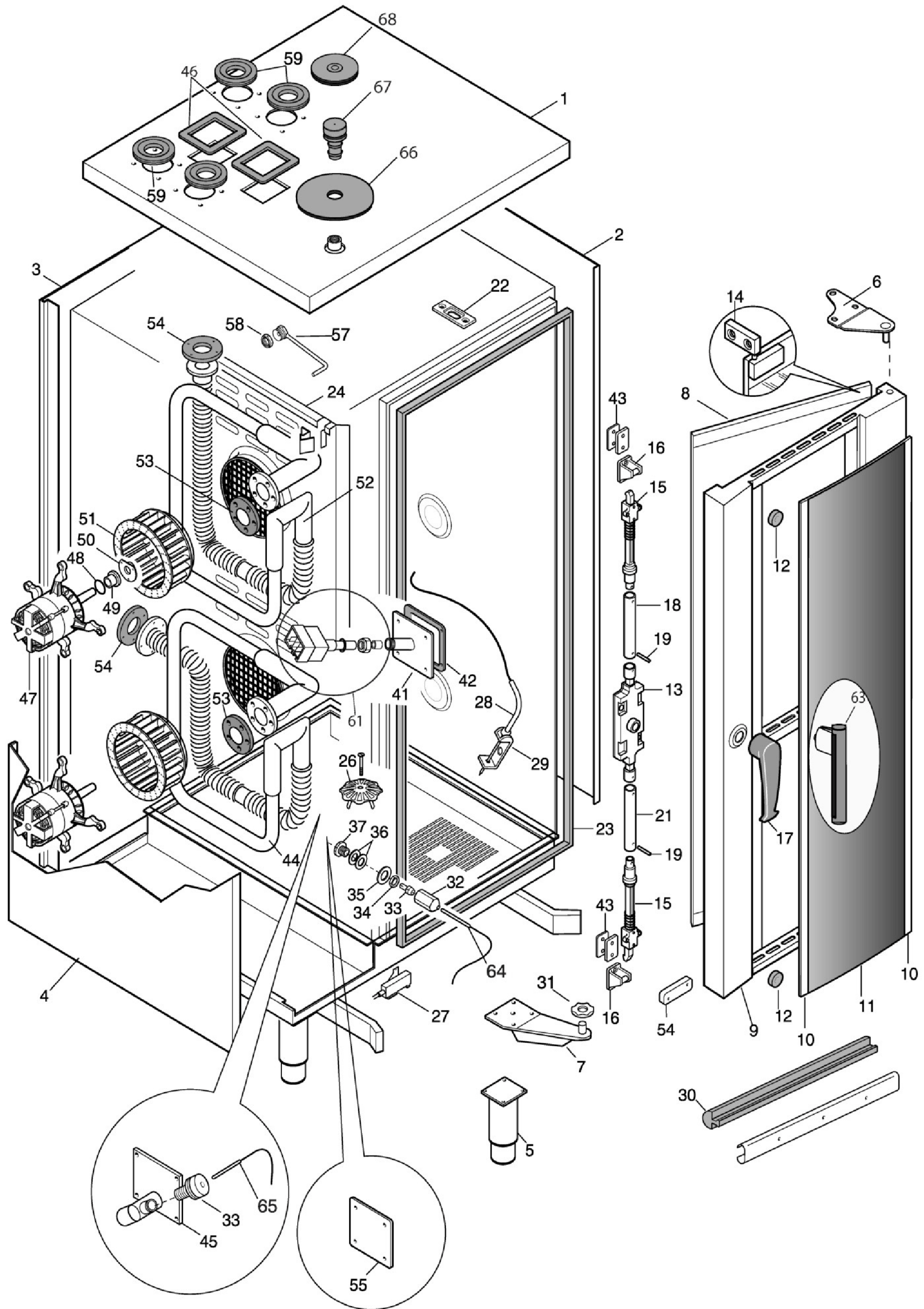


PNC	Model	Ref	Group	Level	Page	Notes
237704	FCZ201GTG	a	FCZ	Touch	2...10	230V 50Hz STD
237714	FCZ201GTD	b	FCZ	Touch	2...10	230V 50Hz LPG
238704	FCZ201GBG2	c	FCZ	Level B	2...10	230V 50Hz STD
238714	FCZ201GBD2	d	FCZ	Level B	2...10	230V 50Hz LPG
238724	FCZ201GBL2	e	FCZ	Level B	2...10	100V 50/60Hz JAP LPG
239704	FCZ201GCG2	f	FCZ	Level C	2...10	230V 50Hz STD
239714	FCZ201GCD2	g	FCZ	Level C	2...10	230V 50Hz LPG
267704	AOS201GTG1	h	AOS	Touch	2...10	230V 50Hz STD
267714	AOS201GTD1	i	AOS	Touch	2...10	230V 50Hz LPG
267754	AOS201GTP1	l	AOS	Touch	2...10	120V 60Hz USA
267784	AOS201GTW1	m	AOS	Touch	2...10	230V 50Hz UK
268704	AOS201GBG2	n	AOS	Level B	2...10	230V 50Hz STD
268714	AOS201GBD2	o	AOS	Level B	2...10	230V 50Hz LPG
268784	AOS201GBW2	p	AOS	Level B	2...10	230V 50Hz UK
269704	AOS201GCG2	q	AOS	Level C	2...10	230V 50Hz STD
269714	AOS201GCD2	r	AOS	Level C	2...10	230V 50Hz LPG
269784	AOS201GCW2	s	AOS	Level C	2...10	230V 50Hz UK
<b>266704</b>	<b>AOS201GKG1</b>	<b>t</b>	<b>AOS</b>	<b>Level K</b>	<b>2...10</b>	<b>230V 50Hz STD</b>
<b>266714</b>	<b>AOS201GKD1</b>	<b>u</b>	<b>AOS</b>	<b>Level K</b>	<b>2...10</b>	<b>230V 50Hz LPG</b>

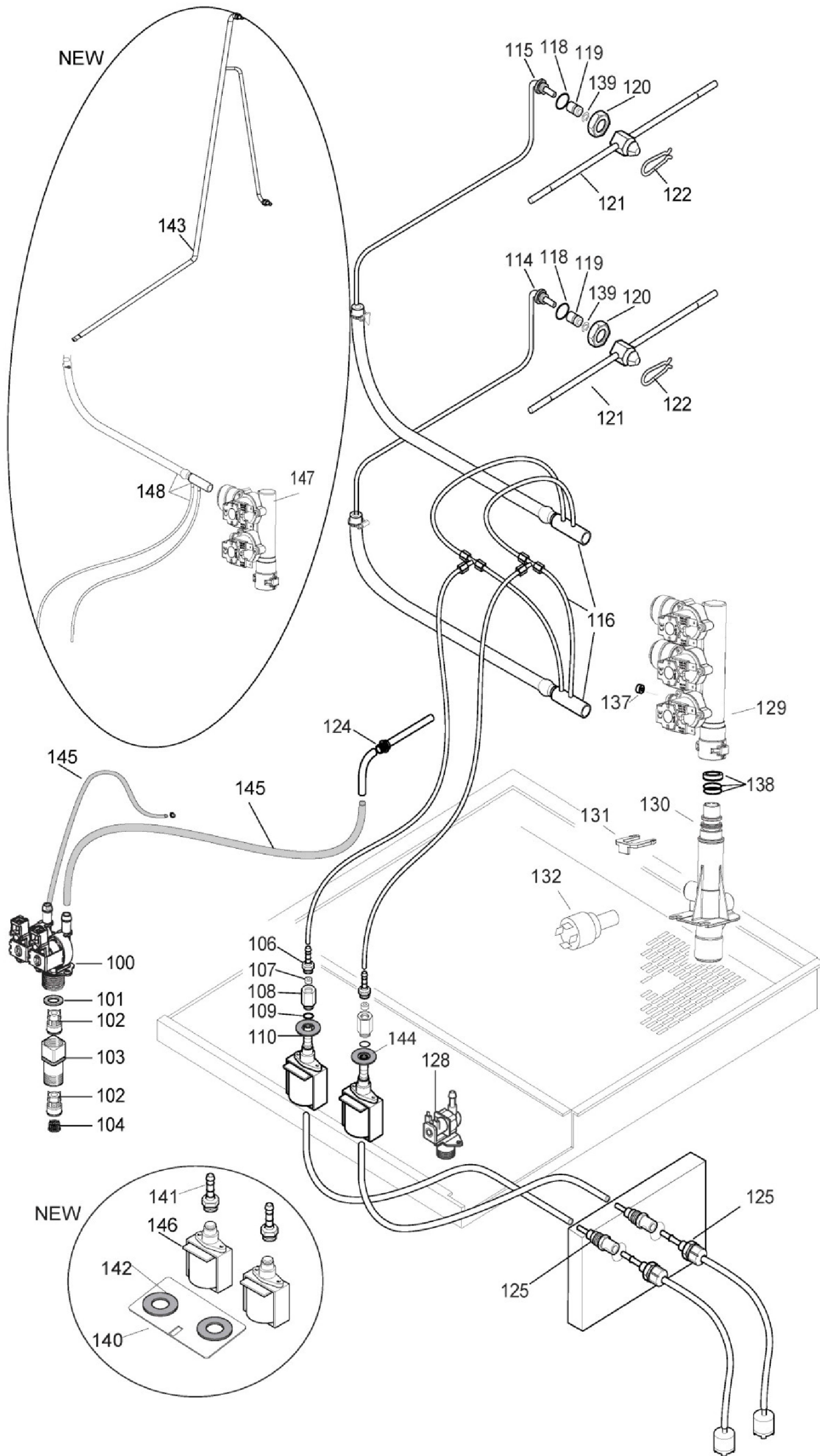
Pag	Index	Indice	Note
2	Oven cabinet and door.	Cella forno e porta	
3	Water system	Impianto idraulico	
4	Boiler	Boiler	
5	Electrical components	Componenti elettrici	
6	Accessories	Accessori	
7...10	Spare parts list	Lista ricambi	

Brand/Marchio: All  
Factory code: 9PDD

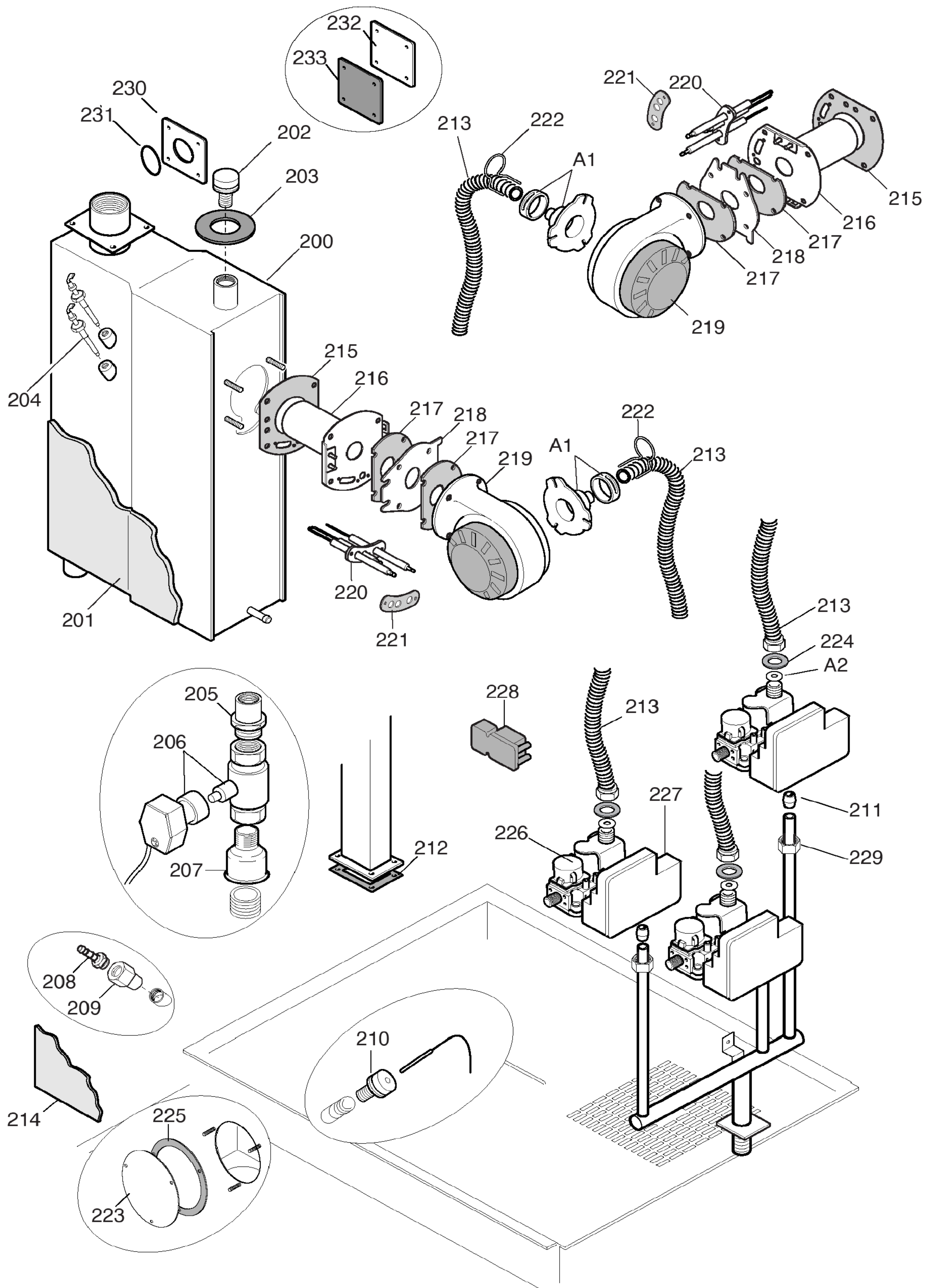






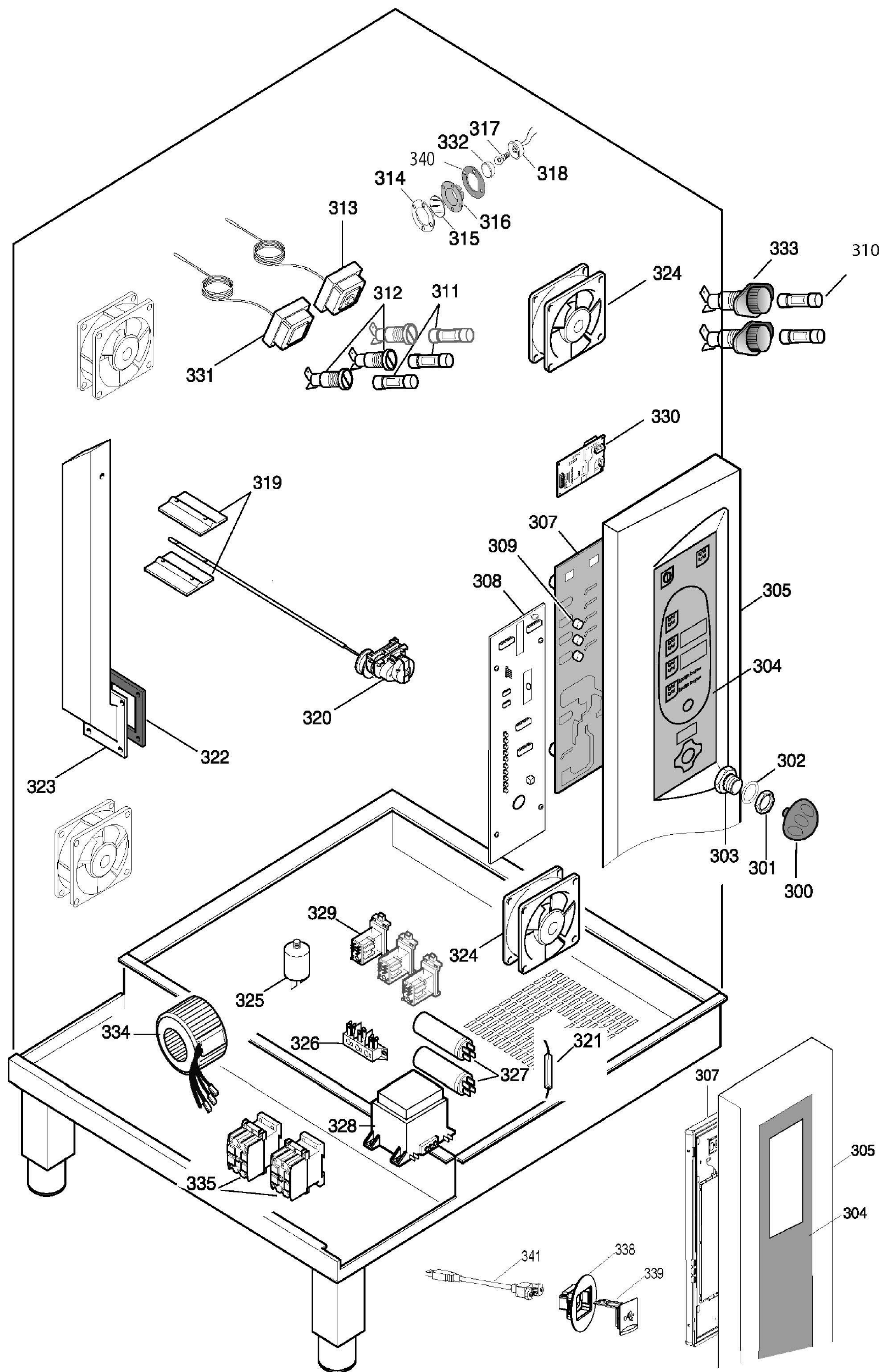




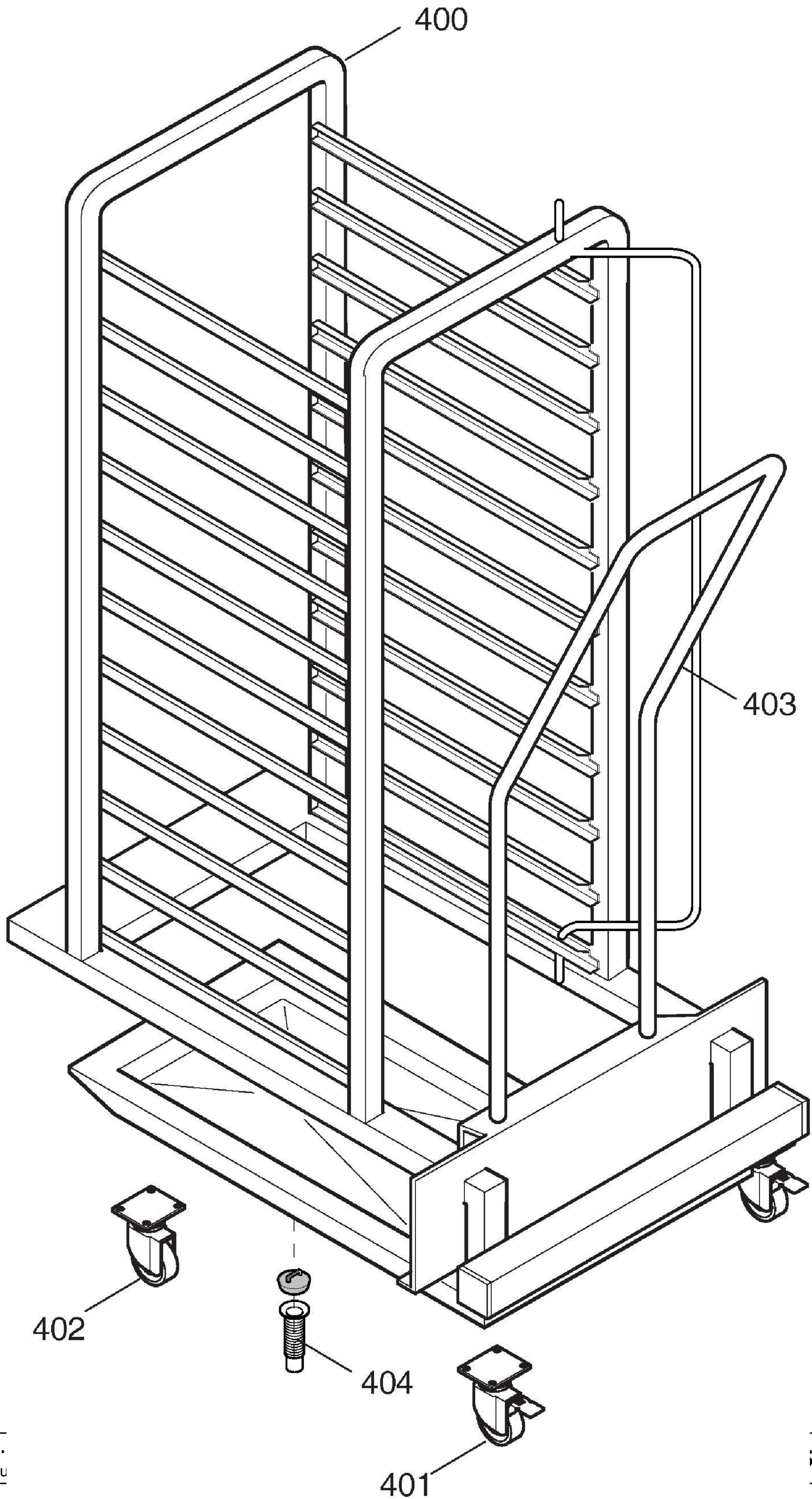


GAS	POS. A1 CELLA/CAVITY	POS. A1 BOILER	POS. A2 CELLA/CAVITY	POS. A2 BOILER	POS. 218 CELLA/CAVITY	POS. 218 BOILER
G20	OC1045 (ROSSA/RED)	OC4629 (VERDE/GREEN)	OC1139 (ø 7)	OC2444 (ø 7,5)	OC4110 (ø 18)	OC4125 (ø 21)
G25	OC1045 (ROSSA/RED)	OC4629 (VERDE/GREEN)	OC1141 (ø 8)	OC5236 (ø 9)	OC4110 (ø 18)	OC4125 (ø 21)
G30	OC1045 (ROSSA/RED)	OC4629 (VERDE/GREEN)	OC2442 (ø 5.5)	OC2446 (ø 5,8)	OC4110 (ø 18)	OC4110 (ø 18)
LPG	OC1045 (ROSSA/RED)	OC4629 (VERDE/GREEN)	OC1140 (ø 5.7)	OC1142 (ø 6,15)	OC4110 (ø 18)	OC4110 (ø 18)









From sr.  
From statu

400K00